

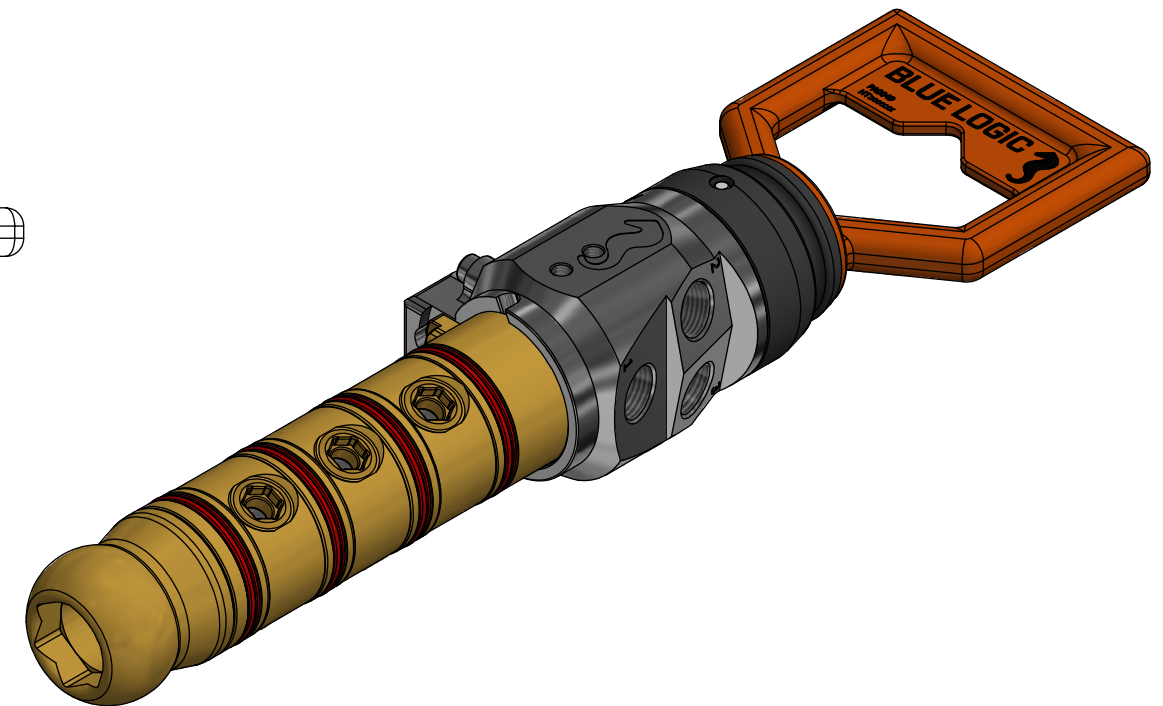
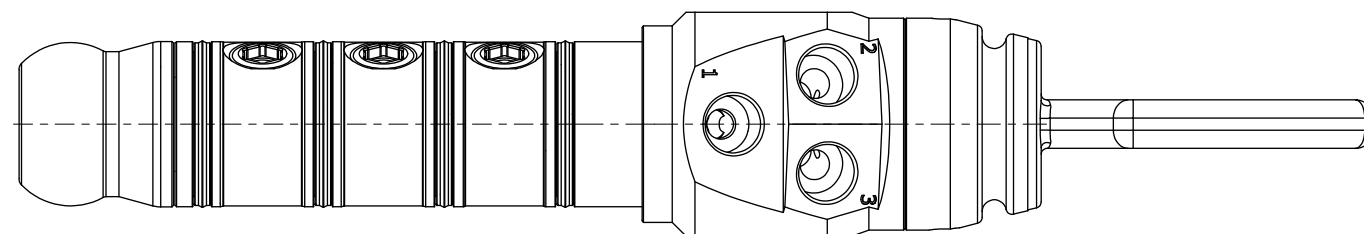
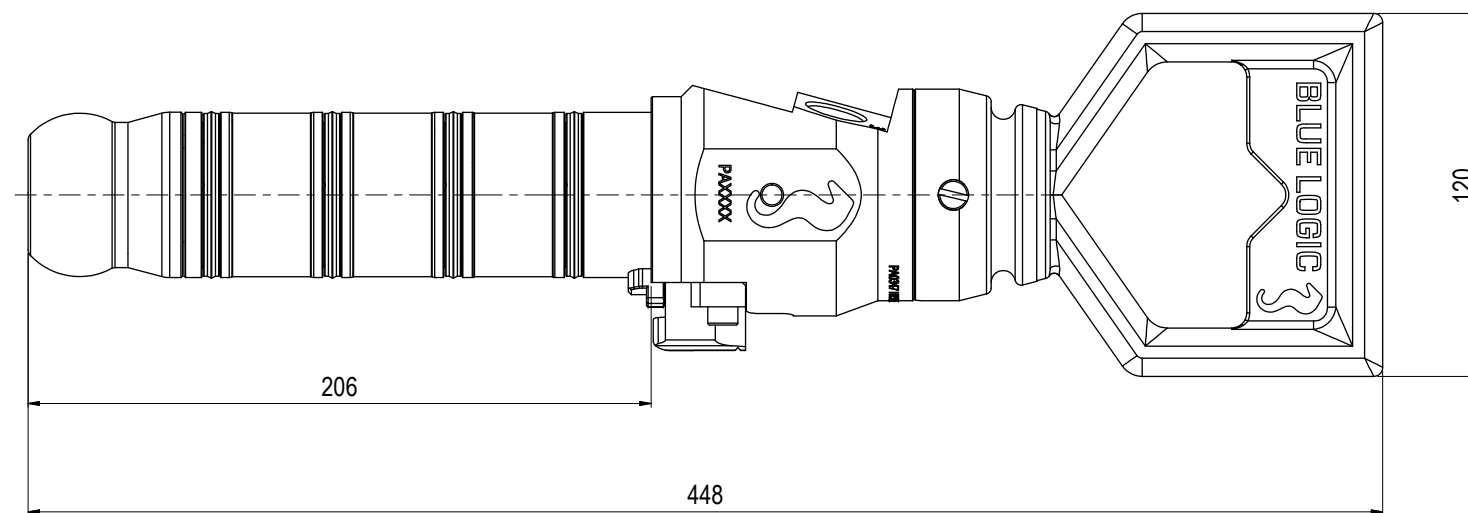
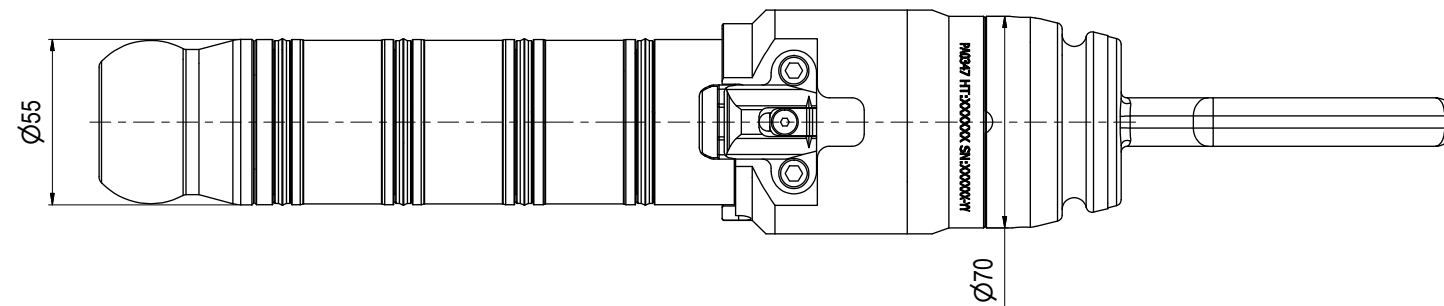
NOTE: 1
 DESIGN CODE:
 NS-EN 13445

NOTE: 2
 TECHNICAL CLASSIFICATION:
 Article Type: 003-Valve Stabs
 Main Group: 3.03. Ø55-Valvestab
 Intermediate Group: 3.12.01. Stab
 Sub Group: 3.12.32.3. Triple

NOTE: 3
 INTERFACE INFORMATION:
 Pressure Rating Bar: 250
 Material: Intervention
 Weight: 6,7 kg
 Volume: 0,94 dm³
 Surface Area: 2455 cm²
 Hydraulic: 1/2" BSP
 Mechanical: N/A
 Electrical: N/A
 Com. & Protocol: N/A

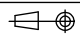
NOTE: 4
 SPAREPARTS:
 BB1689

NOTE: 5
 ADDITIONAL INFORMATION:
 Usermanual: 600112-TD-0003



13	10.6.2024	9-IFU (Issued for Use)		WTJ	HNJ	WTJ
12	2.2.2021	9-IFU (Issued for Use)		WTJ	LGH	WTJ
11	23.11.2020	9-IFU (Issued for Use)		LGH	HNJ	LGH
10	17.1.2019	9-IFU (Issued for Use)		WTJ	LGH	WTJ
Rev.	Date	Reason for issue	Revision change	Made	Chk'd	Appr.



Dwg Scale:
 NTS
 Dwg Proj:

 Dwg Format:
 A3

Drawing title:
 Ø55 TP VStab 250Bar Interv BSP 1/2"

Drawing number:
 PA0332

Rev.
 13